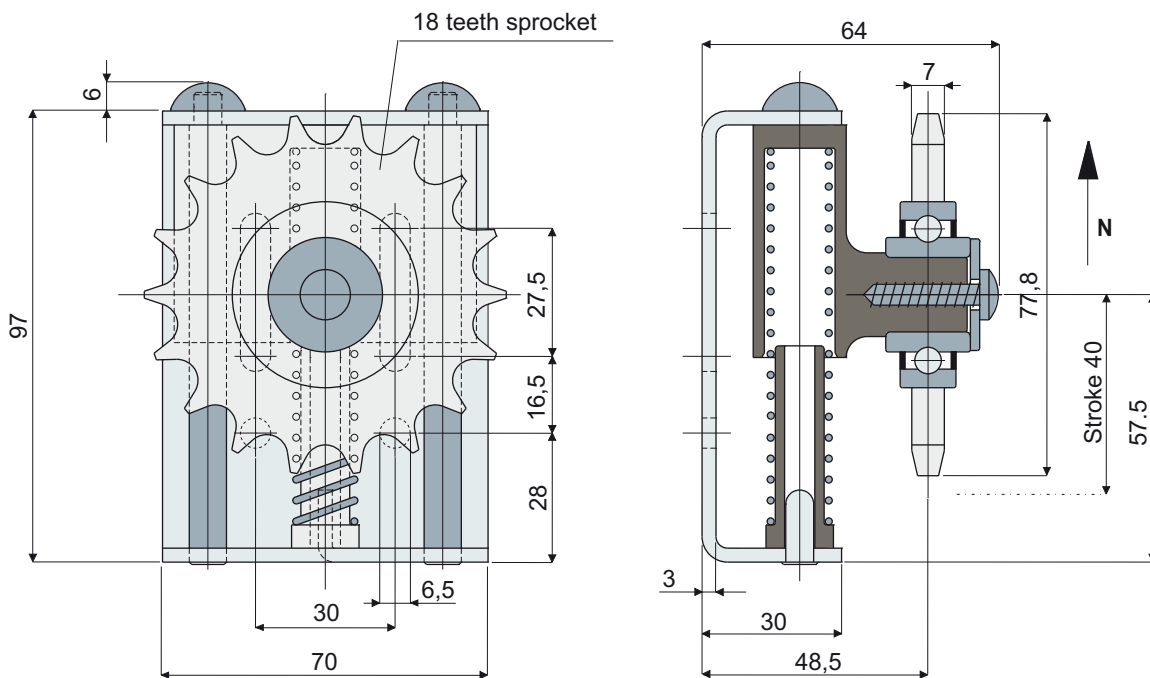


Chain tensioner with sprocket

(for roller chain type DIN 8187 08-B1)

Part. **278**



Code	Min. tension load (N)	Max. tension load (N)
278 / 82069	60	110

MATERIALS: External part, sprocket, pins and spring are made of zinc plated steel; cursor and spring guide are made of polyamide black colour.

FEATURES: To be assembled in the transmissions with roller chain to stretch it.

BOX QUANTITY: 12 pieces.

ON REQUEST:

- Sprockets: With other number of teeth.
- Box Quantity: According to your request.