

Telescopic Steel Covers

There are many companies throughout the world who manufacture or sell **Telescopic Steel Covers**. Our company has achieved production levels - in terms of volume and quality standards - that place it at the top of the market.

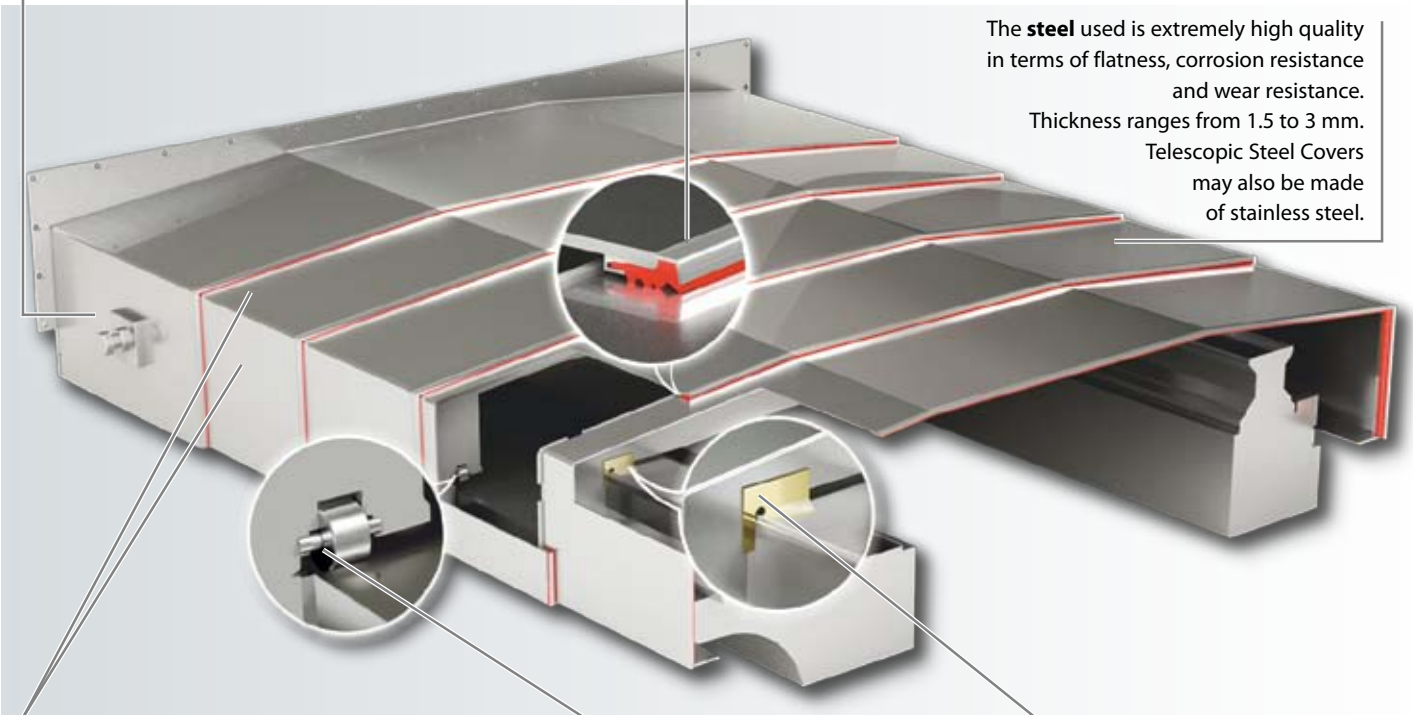
Heavy investment in machinery and personnel training, under the guidance of highly qualified engineers have allowed us to face the latest challenge in the development of Machine Tools: the increase of the axis speeds.

For heavy covers:
a) over 110 kg
for horizontal covers
b) over 70 kg
for front or vertical covers.
Special **supports** are included
for easy, secure lifting.

Wipers keep the surface clean
and prevent chips and
shavings from getting onto
expensive rails.
They must be heat and coolant
resistant, and thus are made of
polyurethane, with or without
a protective stainless steel chip guard.

Special anti-friction **brass guides**
or **wipers** with polyurethane rubber
are inserted on the sides of the Telescopic Steel
Covers, at the discretion of the engineer
based on speed, seal and dimensions.

The **steel** used is extremely high quality
in terms of flatness, corrosion resistance
and wear resistance.
Thickness ranges from 1.5 to 3 mm.
Telescopic Steel Covers
may also be made
of stainless steel.

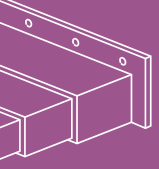


For high speeds, **P.E.I. shock absorbers**
(patented) are inserted in these positions.
They are very effective in reducing impact
between boxes during movement.
These shock absorbers allow working speeds
considerably higher than those previously
possible, while simultaneously reducing
noise levels and wear.
This innovation, together with precision
production methods, make it possible to
accommodate even the fastest machine
tools.

For high speeds
or weights, special
bearings are inserted
for smooth, silent
movement.
Telescopic Steel Covers
with bearings require
tempered or auxiliary
guides.

Compact, low-speed
Telescopic Steel Covers are
equipped
with special
anti-friction brass
or non-metallic
guides.

Reproduction of this page is strictly prohibited.

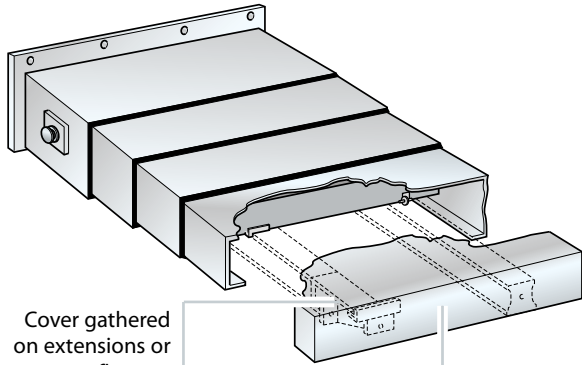


TELESCOPIC STEEL COVERS

Standard products

Working Positions

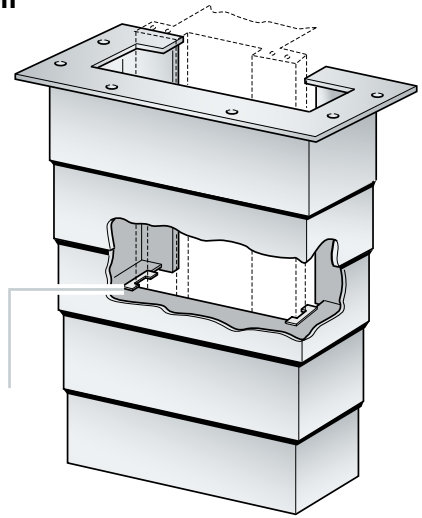
Horizontal position



Cover gathered on extensions or support flanges, if desired

Removable closing panel if desired

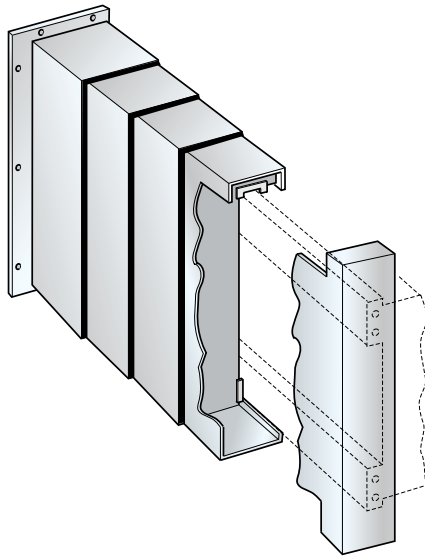
Vertical position



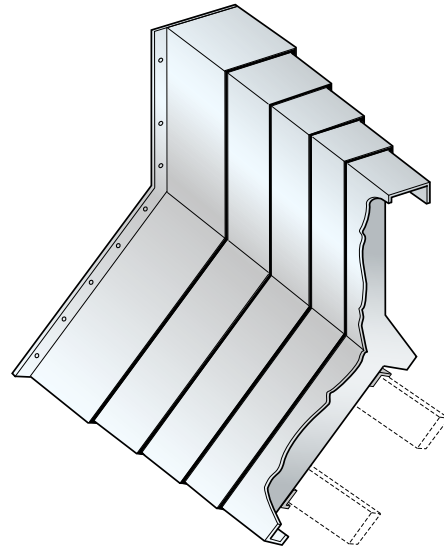
Profiled guides for secure fastening

Snap-on guides available upon request for rapid frontal installation

Transverse position



Transverse LATHE cover

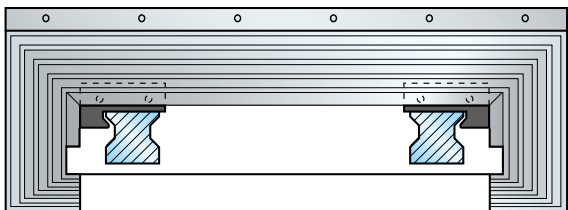


Reproduction of this page is strictly prohibited.

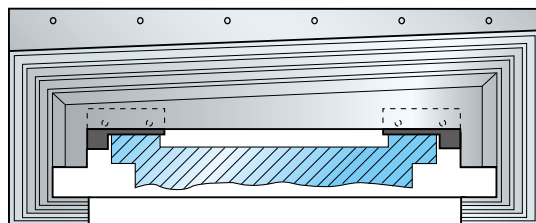


Configurations

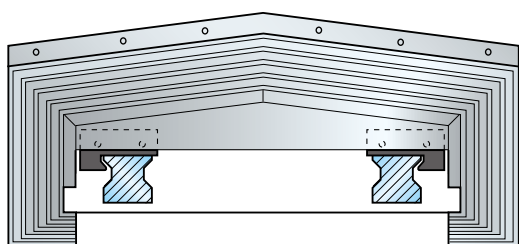
Shape 1



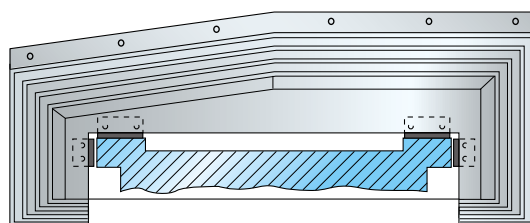
Shape 2



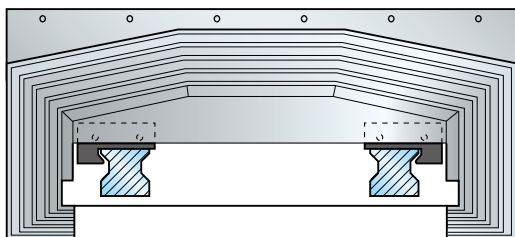
Shape 3



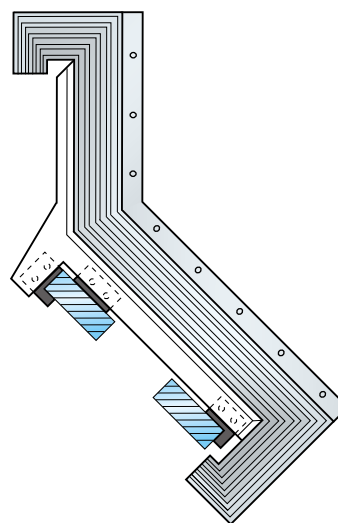
Shape 4



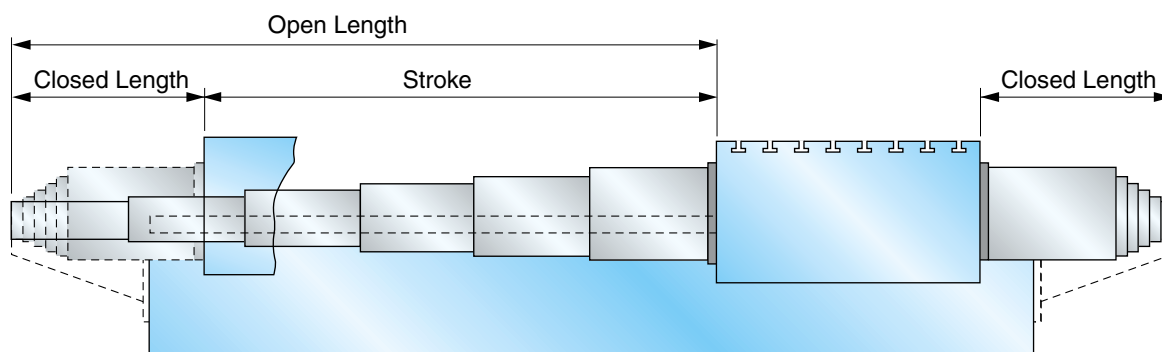
Shape 5



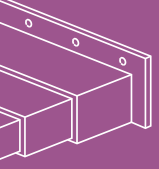
Shape 6



NOTE: Only a few standard configurations of Telescopic Steel Covers are shown above.



Reproduction of this page is strictly prohibited.



DAMPER-SHELL

The new generation viscoelastic shock absorber that effectively reduces impact noise in large scale telescopic covers

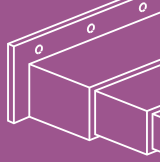
- **DAMPER-SHELL** is ideal for working speeds up to 80m/min and acceleration up to 1g.
- **DAMPER-SHELL** opens smoothly during expansion without causing friction on the boxes.
- **DAMPER-SHELL** is free from boost residue whether the telescopic cover is closed or in resting position.
- **DAMPER-SHELL** has an excellent dimension/cost ratio.
- **DAMPER-SHELL** is ideal for long strokes being a silent, durable and reliable solution.
- Telescopic covers equipped with **DAMPER-SHELL** require quick and simple maintenance.



(Patent pending)



Reproduction of this page is strictly prohibited.



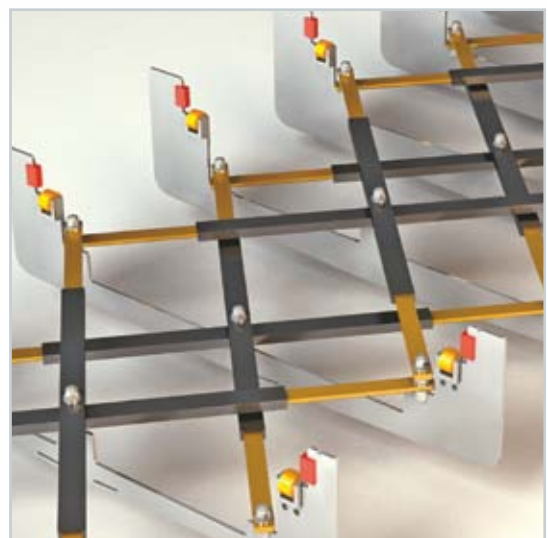
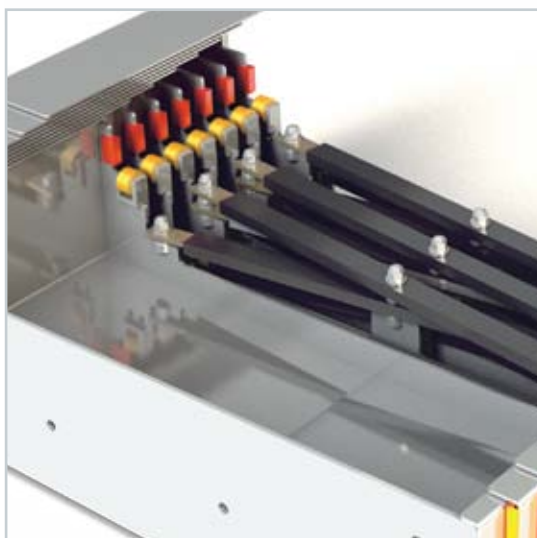
SYNCHRO-TEL

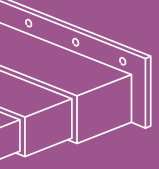
The mechanical brace system that synchronizes movement in telescopic covers

- **SYNCHRO-TEL** is a mechanical system which synchronizes the opening and closure of medium sized telescopic covers.
- **SYNCHRO-TEL** is ideal for working at high speeds and acceleration.
- The shaft mechanism of the **SYNCHRO-TEL** telescopic cover eliminates any collision between the boxes.
- **SYNCHRO-TEL** generates minimum stress on the pivots.
- Guaranteed stability of the telescopic shafts secured by three pivots to the boxes.
- Guaranteed minimum closed length.
- **SYNCHRO-TEL** is a convenient and cost saving solution.
- Mathematical testing and calculations prove **SYNCHRO-TEL** to be the most reliable and durable synchro system on the current market.



(Patent pending)



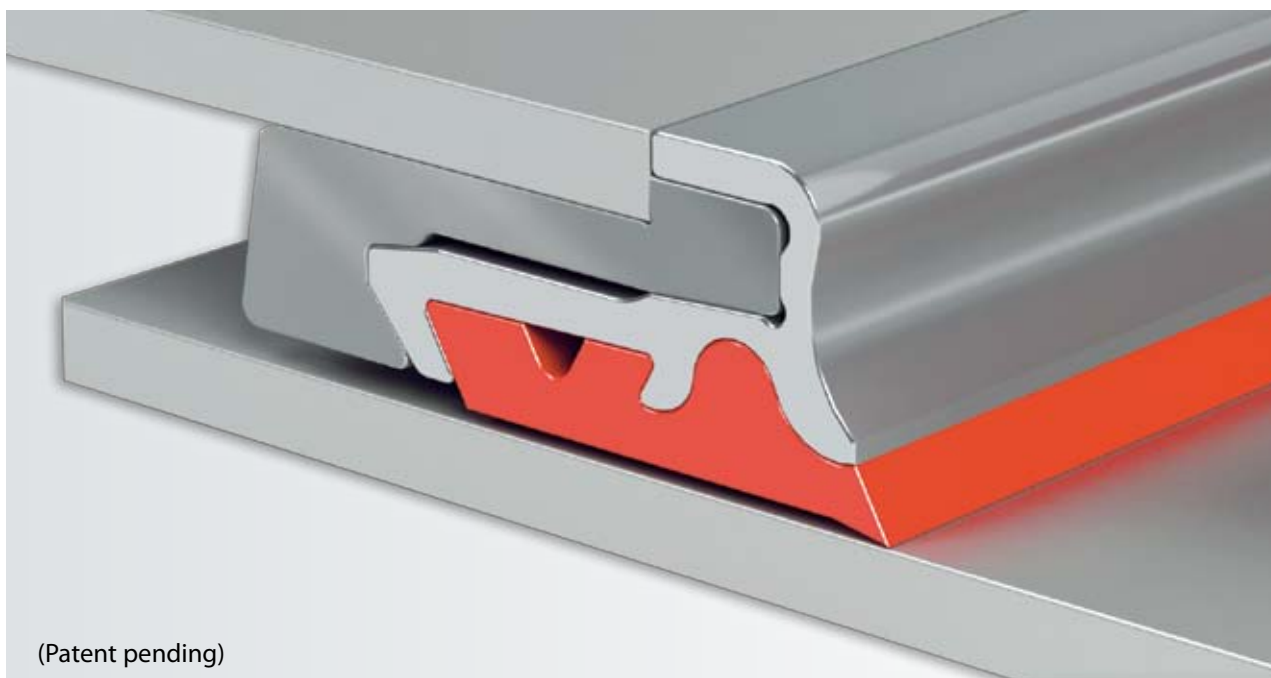


PR4A

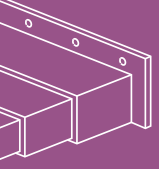
The instantly replaceable wiper for Telescopic covers

Attention: disassembly not required!

- **WIPER PR4A** is a cutting-edge solution for replacing the wiper profile instantly and without stopping the machinery.
- **WIPER PR4A** is made of 3 independent elements:
 - firstly it has a solid metal profile on the telescopic cover box
 - secondly it has a removable metal profile
 - finally it has a seal designed to clean the cover.
- Telescopic covers equipped with **WIPER PR4A** allow the client to independently replace the wiper profile:
 - Release the removable part
 - Replace the removable metal profile ready-made for the new seal
 - **WIPER PR4A** offers a range of seals with different technical features depending on the working conditions it is subjected (e.g. a working environment that uses coolants or a dry working environment in the **PR4A D** version).



Reproduction of this page is strictly prohibited.



TELESCOPIC STEEL COVERS

Standard products

Telescopic Steel Covers Questionnaire

! Type of machine:

Trade mark:

Model: Axis:

Cover code: Canister qt.

Acceleration: m/sec² Speed: m/min

Working Position Horizontal Vertical
 Crosspiece Inclined

Sliding by skids by rollers

Treadability Yes No

Coolant Yes No

! Customer:.....

Street:.....no.

Town Land

Reference person:

Phone:

Fax:.....

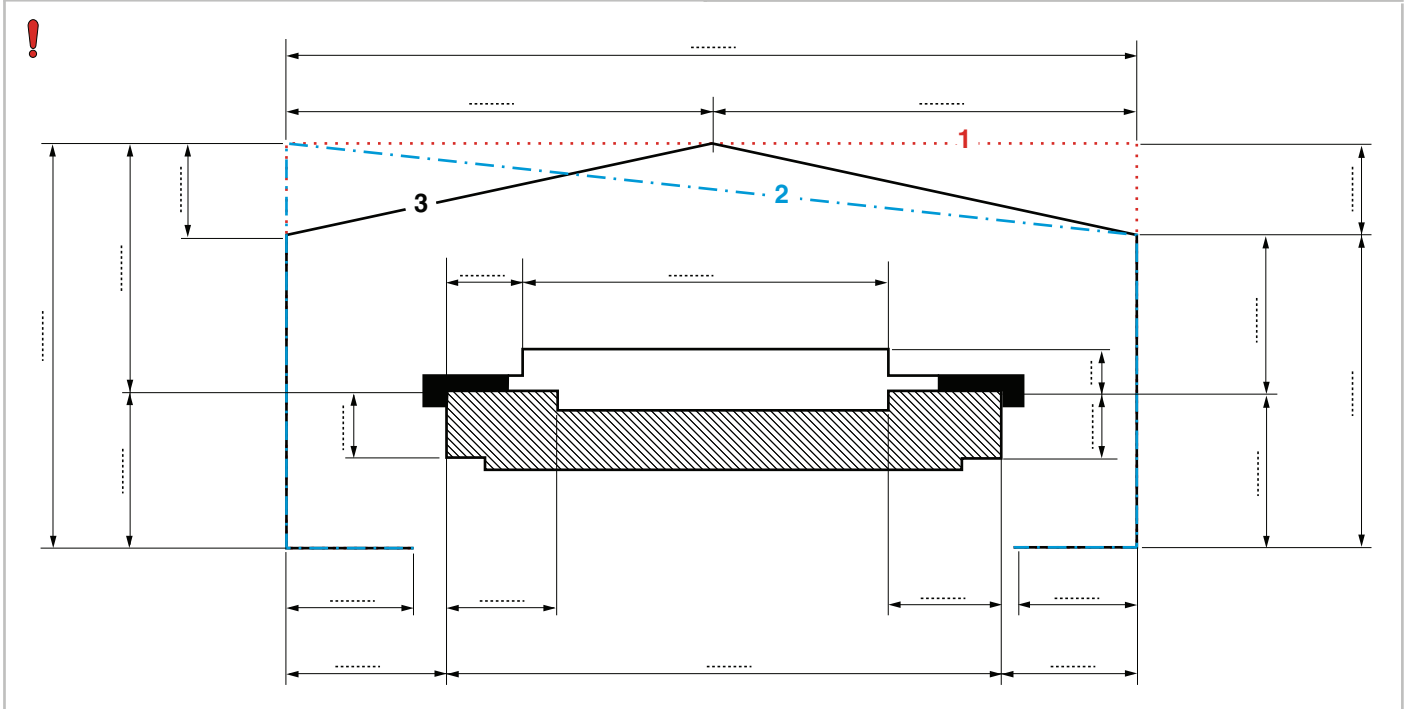
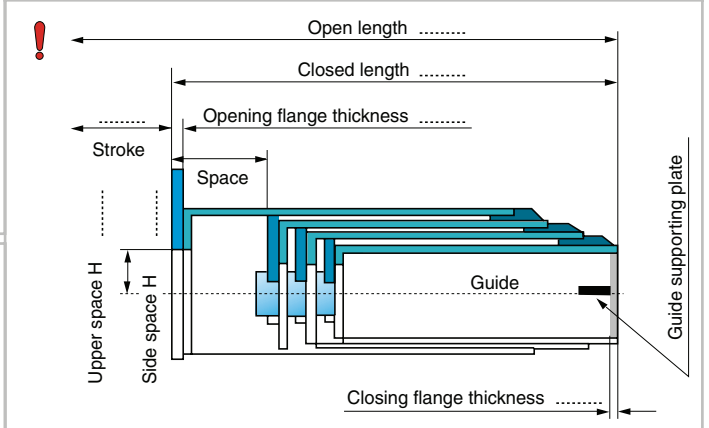
E-mail:.....

Required quantity Pcs:..... Right:..... Left:.....

! Please indicate the Cover overall, fastenings excluded.

Desired shape: **1** **2** **3**

View from the opening flange View from the closing flange



! Opening Flange sketch

! Closing Flange sketch

NOTE: The data fields and/or tables marked by **!** are the least ones to be filled in order to give you a quotation.