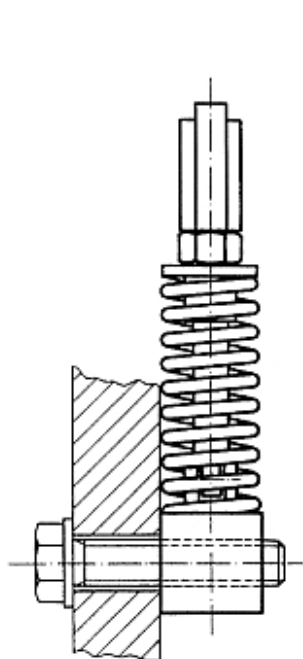
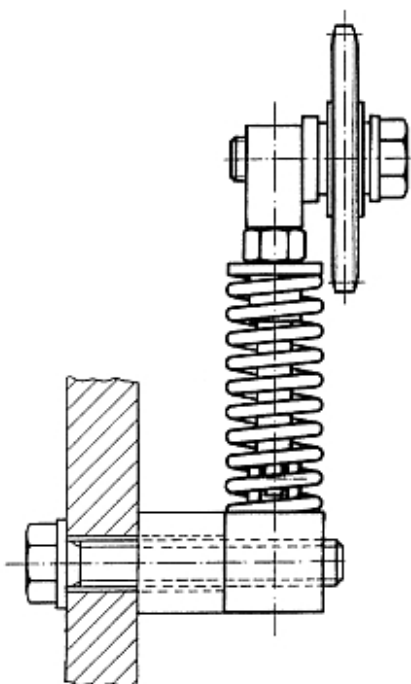
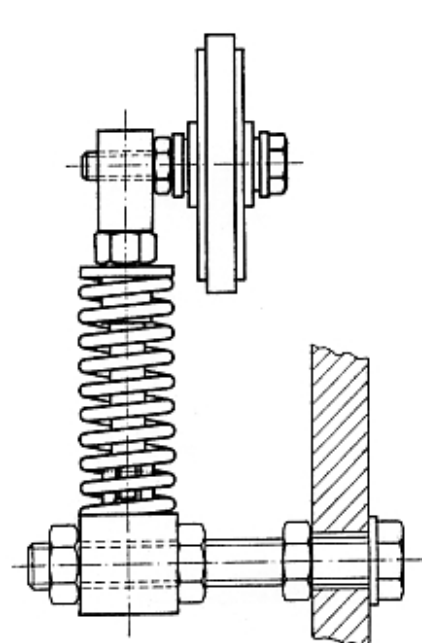


Esempi di montaggio / Examples of installation / Montagebeispiele

Fig. - Bild 1

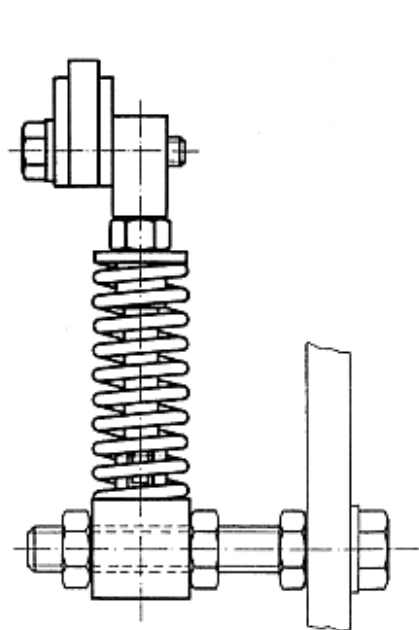
Montaggio di lato a parete
Side installation to wall
Montage - Wandseite


Fig. - Bild 2

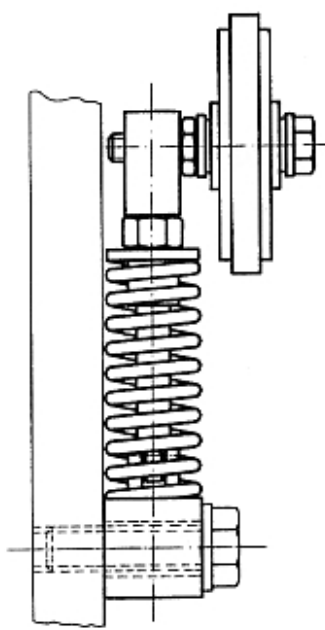
Di lato a parete con distanziale
Side installation to wall with spacer
DC Seite an Wand mit Entfernungsstück


Fig. - Bild 3

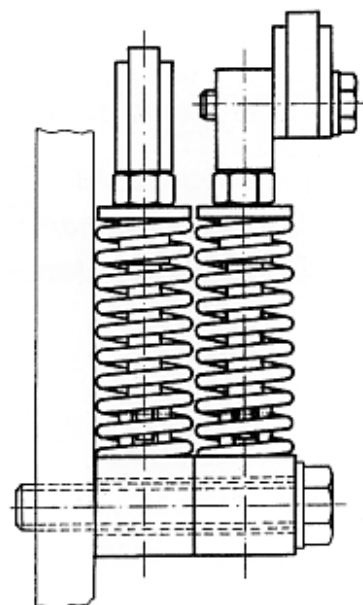
Di lato a parete con doppia regolazione
Side installation to wall with double adjustment
Seitlich an Wand mit doppelter Einstellung


Fig. - Bild 4

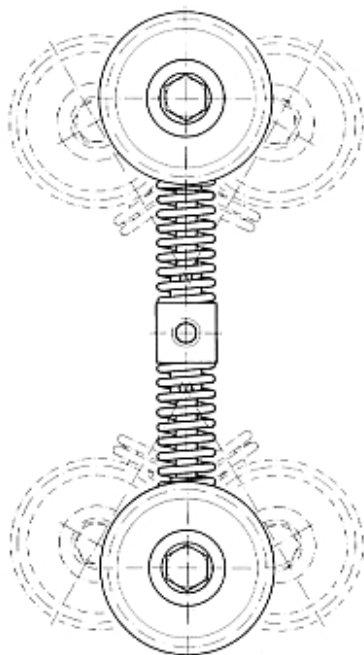
Doppia regolazione
Double adjustment
Doppelte Einstellung


Fig. - Bild 5

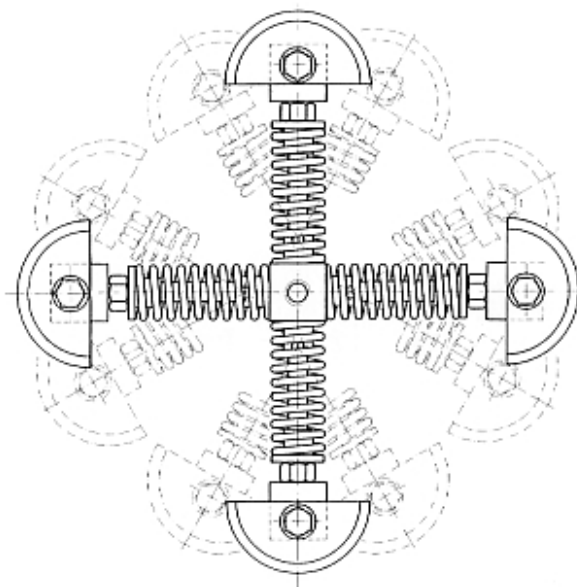
A parete
To wall
An Wand


Fig. - Bild 6

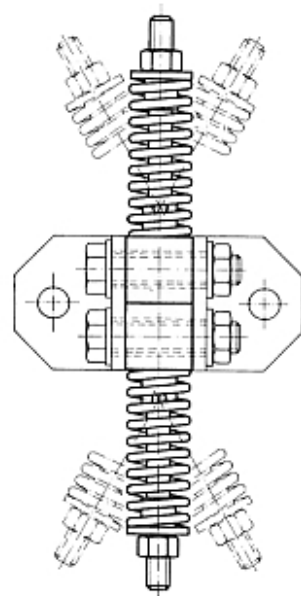
Doppia tensione con una sola vite di fissaggio
Double stretching with single securing screw
Doppelte Spannung mit nur einer Befestigungsschraube

Esempi di montaggio / Examples of installation / Montagebeispiele

Fig. - Bild 7

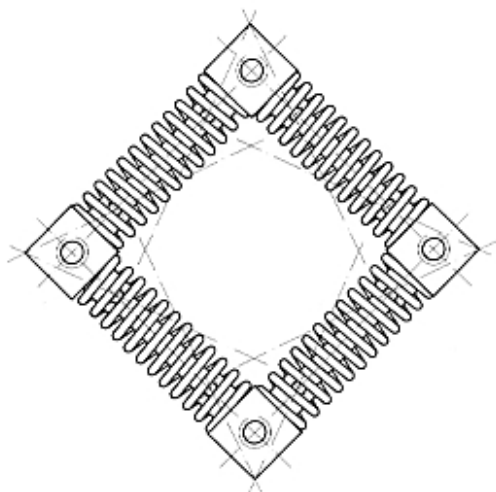
Doppia tensione con unico supporto centrale
Double stretching with single central support
 Doppelte Spannung mit einer zentralen Halterung


Fig. - Bild 8

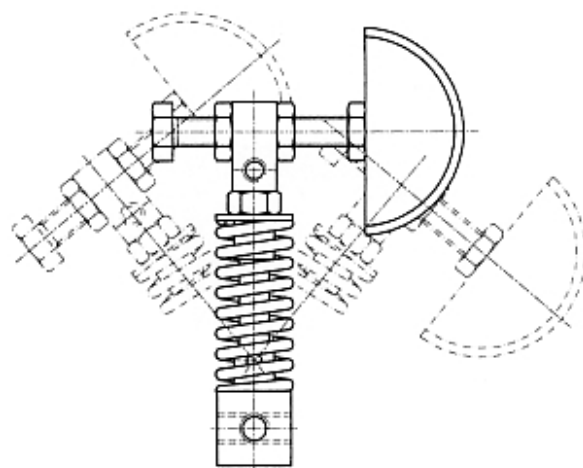
Tensione multipla (4, 5 o 6 tenditori indipendenti)
 con un solo supporto centrale
*Multiple stretching (4 or 5 independent stretchers)
 with single central support*
 Multi-Spannung (4-5 unabhängige Spanner)
 mit nur einer zentralen Halterung


Fig. - Bild 9

Unione di due tenditori
Two stretchers connected to each other
 Verbindung von zwei spannen


Fig. - Bild 10

Combinazione di elementi ARCO per strutture
 elastiche poligonali, anche nelle tre dimensioni
*Combination of ARCO elements for polygonal
 elastic structures, also three dimensional*
 Kombination von ARCO-Elementen für
 polygonale elastische Strukturen auch in den 3
 Raummaßen


Fig. - Bild 11

Montaggio testa tipo "Y" su elemento elastico
 tipo "AB" e "ABN"; la vite deve essere richiesta a parte
 specificando la lunghezza.
*Assembling of the head type "Y" on the elastic
 element type "AB" e "ABN"; the screw must be
 requested separately specifying the length*
 Montierung des Kopfs Typ "Y" mit dem elastischen Element
 Typ "AB" oder "ABN"; Sie müssen die Schraube getrennt
 verlangen und ihre Länge genau angeben

Tabella di scelta KIT / Choose Table KIT / Tabelle zur Auswahl der SETS





















Catena - Chain - Kette DIN 8187		Tipo - Type - Typ			TAGLIA - SIZE GRÖßE		Tipo - Type - Typ				Larghezza max. cinghia Max belt width Max Riemen Breit
ISO	Passo Pitch Teilung	V	VB	LB	AR ARN	AB ABN	RAP	RAU	RP	RU	
											
		Pag. Seite 12	Pag. Seite 13	Pag. Seite 13	Pag. Seite 5	Pag. Seite 7	Pag. Seite 19	Pag. Seite 19	Pag. Seite 20	Pag. Seite 20	
05-B1	8 mm	V 10-0S	VB 10-0S	LB 10-0S	10	10	RAP 1	RAU 1	RP 1	RU 1	30 mm
06-B1	3/8"x7/32"	V 10-1S	VB 10-1S	LB 10-1S	10	10					
08-B1	1/2"x5/16"	V 20-2S	VB 20-2S	LB 20-2S	20	20	RAP 2/3	RAU 2/3	RP 2/3	RU 2/3	40 mm
08-B1	1/2"x5/16"	V 30-2S	VB 30-2S	LB 30-2S	30	30	RAP 2/3	RAU 2/3	RP 2/3	RU 2/3	40 mm
10-B1	5/8"x3/8"	V 30-3S	VB 30-3S	LB 30-3S	30	30					
12-B1	3/4"x7/16"	V 30-4S	VB 30-4S	LB 30-4S	30	30					
12-B1	3/4"x7/16"		VB 40-4S	LB 40-4S	40	40	RAP 4	RAU 4	RP 4	RU 4	55 mm
16-B1	1"x17,02 mm	V 40-5S	VB 40-5S	LB 40-5S	40	40					
20-B1	1 1/4"x3/4"		VB 50-6S	LB 50-6S	50	50	RAP 5	RAU 5	RP 5	RU 5	85 mm
24-B1	1 1/2"x1"		VB 50-7S	LB 50-7S		50					
					60	60	RAP 6	RAU 6	RP 6	RU 6	130 mm
05-B2	8 mm	V 10-0D	VB 10-0D	LB 10-0D	10	10					
06-B2	3/8"x7/32"	V 10-1D	VB 10-1D	LB 10-1D	10	10					
08-B2	1/2"x5/16"	V 20-2D	VB 20-2D	LB 20-2D	20	20	RAP 1	RAU 1			30 mm
08-B2	1/2"x5/16"	V 30-2D	VB 30-2D	LB 30-2D	30	30					
10-B2	5/8"x3/8"	V 30-3D	VB 30-3D	LB 30-3D	30	30					
12-B2	3/4"x7/16"	V 30-4D	VB 30-4D	LB 30-4D	30	30					
12-B2	3/4"x7/16"	V 40-4D	VB 40-4D	LB 40-4D	40	40					
16-B2	1"x17,02 mm	V 40-5D	VB 40-5D	LB 40-5D	40	40					
16-B2	1"x17,02 mm		VB 50-5D	LB 50-5D		50					
20-B2	1 1/4"x3/4"		VB 50-6D	LB 50-6D		50					
24-B2	1 1/2"x1"		VB 50-7D	LB 50-7D		50					
06-B3	3/8"x7/32"	V 20-1T	VB 20-1T	LB 20-1T	20	20					
08-B3	1/2"x5/16"	V 30-2T	VB 30-2T	LB 30-2T	30	30					
10-B3	5/8"x3/8"	V 40-3T	VB 40-3T	LB 40-3T	40	40					
12-B3	3/4"x7/16"	V 40-4T	VB 40-4T	LB 40-4T	40	40					
16-B3	1"x17,02 mm	V 40-5T	VB 40-5T	LB 40-5T	40	40					
16-B3	1"x17,02 mm		VB 50-5T	LB 50-5T		50					
20-B3	1 1/4"x3/4"		VB 50-6T	LB 50-6T		50					
24-B3	1 1/2"x1"		VB 50-7T	LB 50-7T		50					

Tabella di scelta KIT / Choose Table KIT / Tabelle zur Auswahl der SETS

Catena - Chain - Kette DIN 8187		Tipo - Type - Typ							TAGLIA - SIZE GRÖßE	
ISO	Passo Pitch Teilung	RA	RB	NA	IA	NB	IB	KB	AR ARN	AB ABN
										
		Pag. Seite 14	Pag. Seite 15	Pag. Seite 16	Pag. Seite 16	Pag. Seite 17	Pag. Seite 17	Pag. Seite 18	Pag. Seite 5	Pag. Seite 7
05-B1	8 mm	RA 10-0S	RB 10-0S						10	10
06-B1	3/8"x7/32"	RA 10-1S	RB 10-1S						10	10
06-B1	3/8"x7/32"			NA 20-1S	IA 20-1S	NB 20-1S	IB 20-1S	KB 20-1S	20	20
06-B1	3/8"x7/32"			NA 30-1S	IA 30-1S	NB 30-1S	IB 30-1S	KB 30-1S	30	30
08-B1	1/2"x5/16"	RA 20-2S	RB 20-2S						20	20
08-B1	1/2"x5/16"	RA 30-2S	RB 30-2S	NA 30-2S	IA 30-2S	NB 30-2S	IB 30-2S	KB 30-2S	30	30
10-B1	5/8"x3/8"	RA 30-3S	RB 30-3S	NA 30-3S	IA 30-3S	NB 30-3S	IB 30-3S		30	30
10-B1	5/8"x3/8"			NA 40-3S	IA 40-3S	NB 40-3S	IB 40-3S	KB 40-3S	40	40
12-B1	3/4"x7/16"	RA 30-4S	RB 30-4S	NA 30-4S	IA 30-4S	NB 30-4S	IB 30-4S		30	30
12-B1	3/4"x7/16"	RA 40-4S	RB 40-4S	NA 40-4S	IA 40-4S	NB 40-4S	IB 40-4S	KB 40-4S	40	40
12-B1	3/4"x7/16"			NA 50-4S	IA 50-4S	NB 50-4S	IB 50-4S	KB 50-4S	50	50
16-B1	1"x17,02"mm	RA 40-5S	RB 40-5S	NA 40-5S	IA 40-5S	NB 40-5S	IB 40-5S		40	40
16-B1	1"x17,02"mm			NA 50-5S	IA 50-5S	NB 50-5S	IB 50-5S	KB 50-5S	50	50
20-B1	1 1/4"x3/4"	RA 50-6S	RB 50-6S						50	50
20-B1	1 1/4"x3/4"			NA 60-6S	IA 60-6S	NB 60-6S	IB 60-6S	KB 60-6S	60	60
24-B1	1 1/2"x1"	RA 50-7S	RB 50-7S						50	50
24-B1	1 1/2"x1"			NA 60-7S	IA 60-7S	NB 60-7S	IB 60-7S	KB 60-7S	60	60
05-B2	8 mm	RA 10-0D	RB 10-0D						10	10
06-B2	3/8"x7/32"	RA 10-1D	RB 10-1D						10	10
06-B2	3/8"x7/32"			NA 20-1D	IA 20-1D	NB 20-1D	IB 20-1D	KB 20-1D	20	20
06-B2	3/8"x7/32"			NA 30-1D	IA 30-1D	NB 30-1D	IB 30-1D	KB 30-1D	30	30
08-B2	1/2"x5/16"	RA 20-2D	RB 20-2D						20	20
08-B2	1/2"x5/16"	RA 30-2D	RB 30-2D	NA 30-2D	IA 30-2D	NB 30-2D	IB 30-2D	KB 30-2D	30	30
10-B2	5/8"x3/8"	RA 30-3D	RB 30-3D	NA 30-3D	IA 30-3D	NB 30-3D	IB 30-3D		30	30
10-B2	5/8"x3/8"			NA 40-3D	IA 40-3D	NB 40-3D	IB 40-3D	KB 40-3D	40	40
12-B2	3/4"x7/16"	RA 30-4D	RB 30-4D						30	30
12-B2	3/4"x7/16"	RA 40-4D	RB 40-4D	NA 40-4D	IA 40-4D	NB 40-4D	IB 40-4D	KB 40-4D	40	40
12-B2	3/4"x7/16"			NA 50-4D	IA 50-4D	NB 50-4D	IB 50-4D	KB 50-4D	50	50
16-B2	1"x17,02"mm	RA 40-5D	RB 40-5D	NA 40-5D	IA 40-5D	NB 40-5D	IB 40-5D		40	40
16-B2	1"x17,02"mm	RA 50-5D	RB 50-5D	NA 50-5D	IA 50-5D	NA 50-5D	IB 50-5D	KB 50-5D	50	50
20-B2	1 1/4"x3/4"		RB 50-6D						50	50
20-B2	1 1/4"x3/4"			NA 60-6D	IA 60-6D	NB 60-6D	IB 60-6D	KB 60-6D	60	60
24-B2	1 1/2"x1"		RB 50-7D						50	50
24-B2	1 1/2"x1"			NA 60-7D	IA 60-7D	NB 60-7D	IB 60-7D	KB 60-7D	60	60
06-B3	3/8"x7/32"	RA 20-1T	RB 20-2T						20	20
06-B3	3/8"x7/32"			NA 30-1T	IA 30-1T	NB 30-1T	IB 30-1T	KB 30-1T	30	30
08-B3	1/2"x5/16"	RA 30-2T	RB 30-2T						30	30
08-B3	1/2"x5/16"			NA 40-2T	IA 40-2T	NB 40-2T	IB 40-2T	KB 40-2T	40	40
10-B3	5/8"x3/8"	RA 40-3T	RB 40-3T	NA 40-3T	IA 40-3T	NB 40-3T	IB 40-3T	KB 40-3T	40	40
10-B3	5/8"x3/8"			NA 50-3T	IA 50-3T	NB 50-3T	IB 50-3T	KB 50-3T	50	50
12-B3	3/4"x7/16"	RA 40-4T	RB 40-4T	NA 40-4T	IA 40-4T	NB 40-4T	IB 40-4T		40	40
12-B3	3/4"x7/16"			NA 50-4T	IA 50-4T	NB 50-4T	IB 50-4T	KB 50-4T	50	50
16-B3	1"x17,02"mm		RB 40-5T						40	40
16-B3	1"x17,02"mm		RB 50-5T	NA 50-5T	IA 50-5T	NB 50-5T	IB 50-5T		50	50
16-B3	1"x17,02"mm			NA 60-5T	IA 60-5T	NA 60-5T	IB 60-5T	KB 60-5T	60	60
20-B3	1 1/4"x3/4"		RB 50-6T						50	50
20-B3	1 1/4"x3/4"			NA 60-6T	IA 60-6T	NB 60-6T	IB 60-6T	KB 60-6T	60	60
24-B3	1 1/2"x1"		RB 50-7T						50	50
24-B3	1 1/2"x1"			NA 60-7T	IA 60-7T	NB 60-7T	IB 60-7T	KB 60-7T	60	60