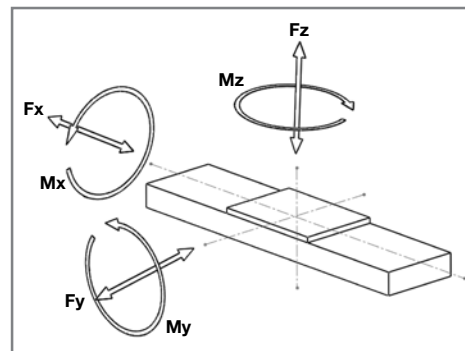
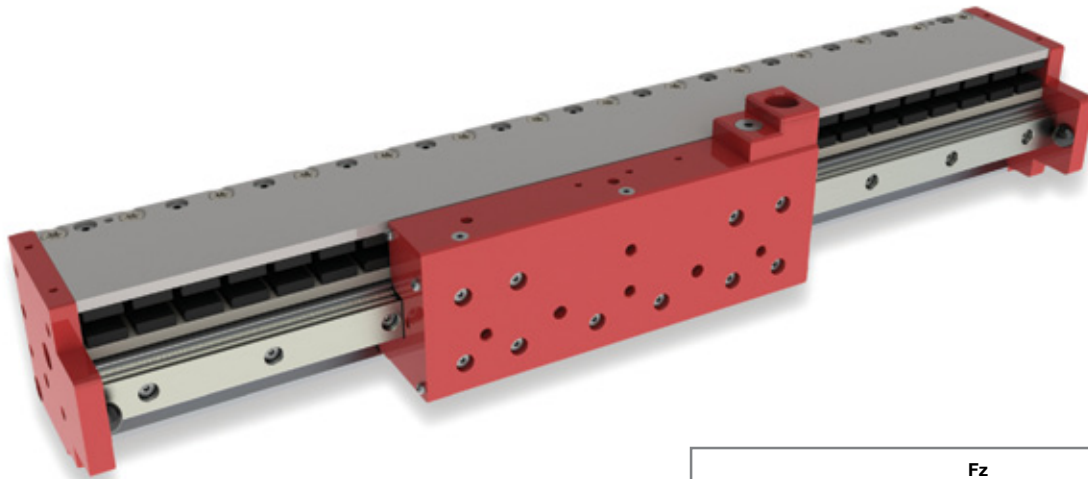




MLU 3 linear motor stages

Technical Description



Maximum Length without joints: up to 3.000 mm
 For code descriptions please see the "Order Code" on page 19

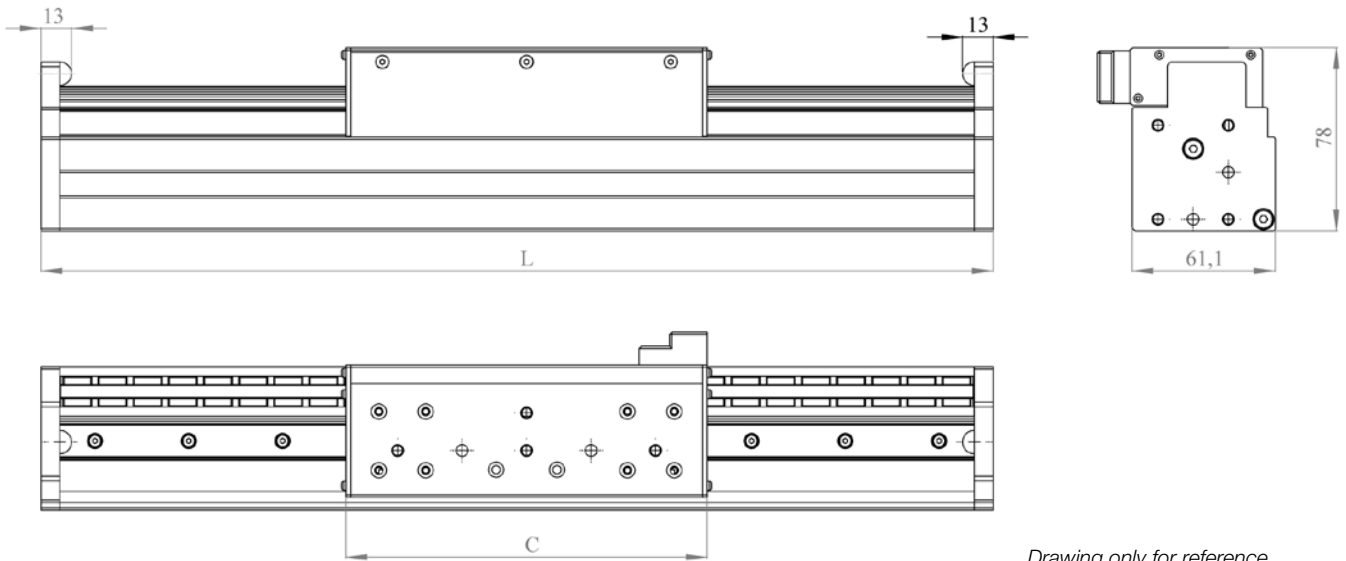
Mechanical specifications

		MLU30100		MLU30200		MLU30300		MLU30400	
		R	S	R	S	R	S	R	S
Linear motor features									
Maximum speed at 300Vdc	m/s					5			
Continuous force aircooled F_x ¹⁾	N	29	58		87		116		
Peak force F_{xp}	N	100	200		300		400		
Nominal current	A	0,8	1,6		2,4		3,2		
Peak current	A	2,8	5,5		8,3		11,0		
Guidance features									
F_y	N	520	520	520	520	520	520	750	750
F_z	N	520	520	520	520	520	520	750	750
M_x	Nm	15	15	15	15	15	15	25	25
M_y	Nm	70	70	87	87	100	100	125	125
M_z	Nm	70	70	87	87	100	100	125	125
Structure profile features									
Geometrical moments of inertia L_x	mm ⁴					1,44x10 ⁵			
Geometrical moments of inertia L_y	mm ⁴					2,42x10 ⁵			
Elastic module	N/mm ²					70000			
Weight									
Weight of carriage	kg	0,6	0,65	1,0	1,5	1,6	2	2,4	2,4
Weight of 100 mm	kg					0,7			

¹⁾ depending on application and temperature



Dimensions MLU 3



Drawing only for reference.
Please ask for ready 3D files.

Choice of stroke

	MLU30100		MLU 30200		MLU 30300		MLU 30400	
	R	S	R	S	R	S	R	
Carriage length C, mm	154	154	214	214	274	274	324	

Length, mm	Code	Stroke ⁽²⁾						
206	00206	26	26	-	-	-	-	-
316	00316	136	136	76	76	16	16	-
406	00406	226	226	166	166	106	106	56
466	00466	286	286	226	226	166	166	116
556	00556	376	376	316	316	256	256	206
616	00616	436	436	376	376	316	316	266
706	00706	526	526	466	466	406	406	356
766	00766	586	586	526	526	466	466	416
796	00796	616	616	556	556	496	496	446
856	00856	676	676	616	616	556	556	506
916	00916	736	736	676	676	616	616	566
946	00946	766	766	706	706	646	646	596
1066	01066	886	886	826	826	766	766	716
1096	01096	916	916	856	856	796	796	746
1186	01186	1006	1006	946	946	886	886	836
1246	01246	1066	1066	1006	1006	946	946	896
1336	01336	1156	1156	1096	1096	1036	1036	986
1486	01486	1306	1306	1246	1246	1186	1186	1136
1576	01576	1396	1396	1336	1336	1276	1276	1226
1636	01636	1456	1456	1396	1396	1336	1336	1286
1726	01726	1546	1546	1486	1486	1426	1426	1376
1876	01876	1696	1696	1636	1636	1576	1576	1526

²⁾ Other stroke lengths are available upon request.